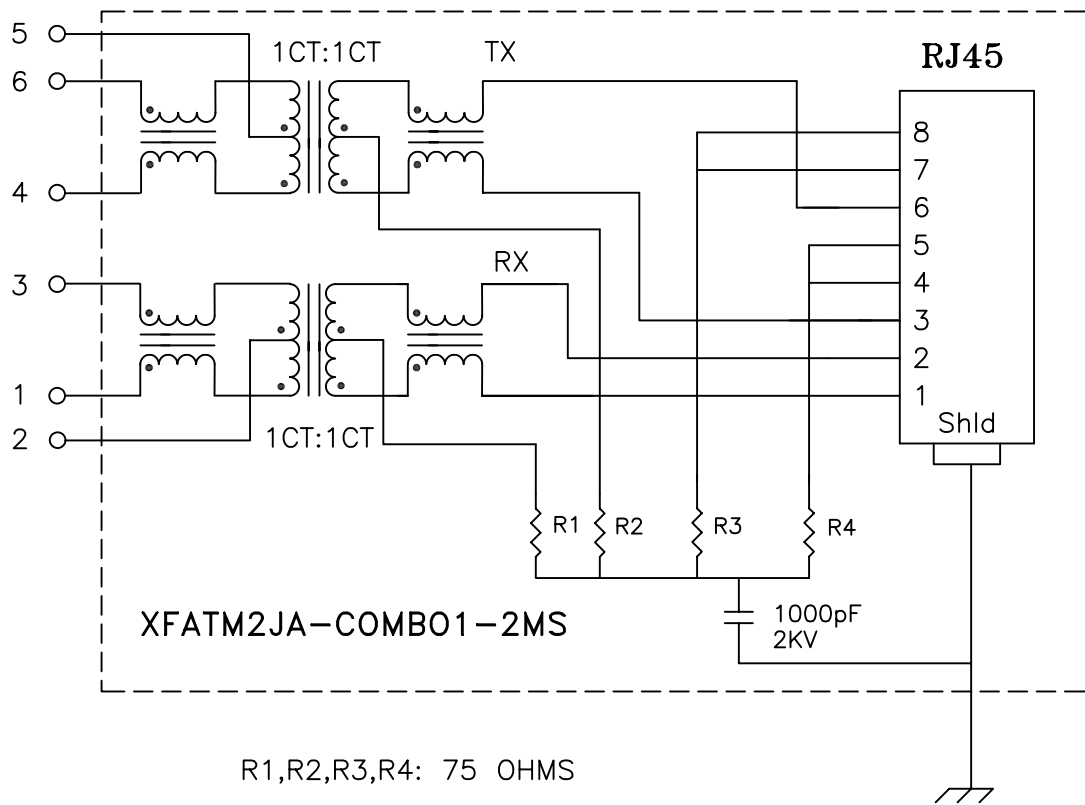


Schematic:



Electrical Specifications: @25°C

- Isolation Voltage: 1500 Vrms (Input to Output)
- Isolation Voltage: 500 Vrms (P1+2+3 to P4+5+6)
- Turns Ratio: TX 1CT:1CT $\pm 3\%$ RX 1CT:1CT $\pm 3\%$
- CABLE SIDE OCL: 350uH Minimum @100KHz 100mV 8mADC
- Cw/w: 27pF Typical @100KHz 100mV
- Insertion Loss (300KHz-100MHz): -1.0dB Maximum
- Return Loss: @30MHz -20dB Minimum
- @80MHz -12dB Minimum

XFMRs Inc.		Title: SINGLE PORT COMBO		
		P/N: XFATM2JA-COMBO1-2MS REV. A		
UNLESS OTHERWISE SPECIFIED TOLERANCES: .xxx ± 0.010 Dimensions in Inch		DWN.	李清儿	Dec-29-03
		CHK.	孙悦	Dec-29-03
SHEET 1 OF 2		APP.	Isaiah M	Dec-29-03